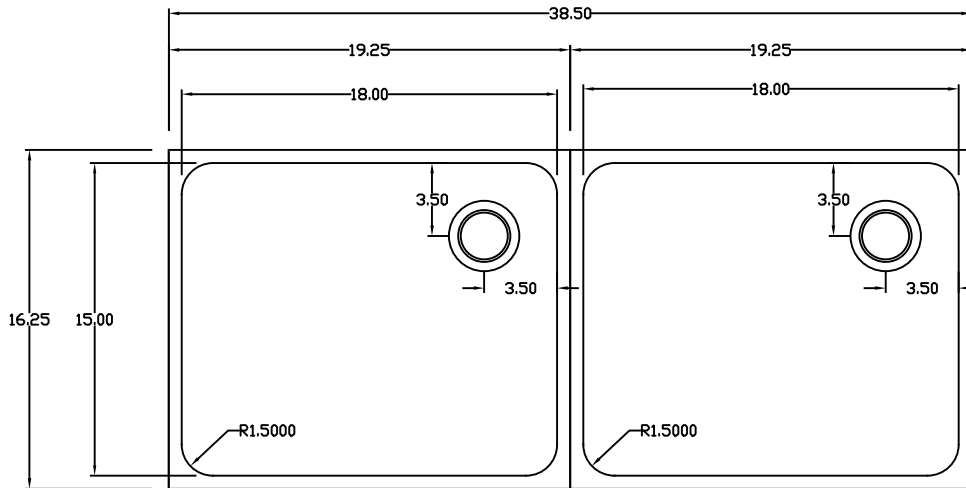
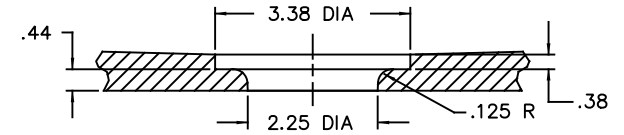


**Glued Double Bowl
U30U-CR Corner Drain
Under Mount epoxy sinks**



TOP VIEW

(2) U30 SINKS GLUED ALONG THE 15" SIDES
Bowl OD 38.50"



DRAIN OPENING DETAIL
SECTION A-A
SECTION NOT TO SCALE

Supplied by:
Total laboratory Solutions
Scottsdale, AZ 85266
PH: 480.488.6421
www.DuratopEpoxy.com

SINK	WEIGHT	OUTLET LOCAL.	CODE
U30U Horizontal	49 LBS	CORNER	SNKU-30

**FACTORY
TAYLOR TX**

DATE: 4/29/10
SCALE: 1=1
DRAWN: RMJ
FILE: U30DH.DWG